

Low Profile, Angular Stable Fixation
for Ulna Shortening Osteotomies

2.7 mm LCP® Ulna Osteotomy System

Quick Reference Chart



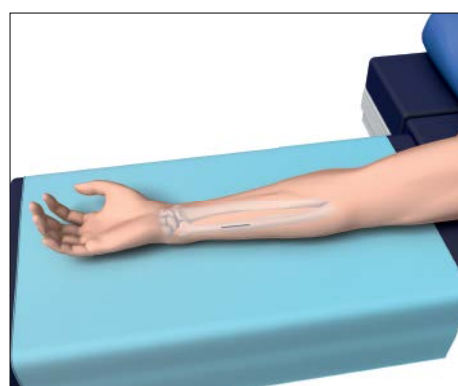
 **DePuy Synthes**

PART OF THE *Johnson & Johnson* FAMILY OF COMPANIES

2.7 mm LCP® Ulna Osteotomy System

Low profile, angular stable fixation for ulna-shortening osteotomies

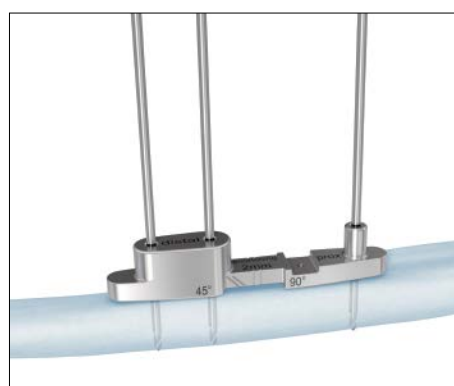
For Oblique (45°) Cut



1 Approach

Place patient in supine position with the forearm on a hand table in full supination and shoulder in 90° abduction.

Make a longitudinal incision to the volar side of the ulna.

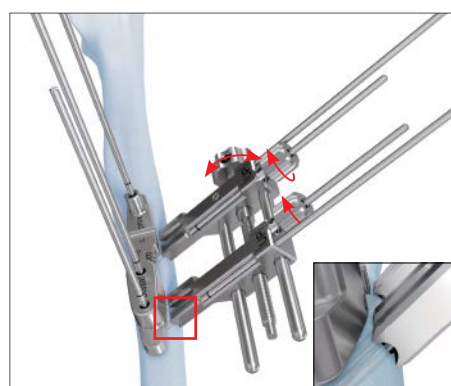


2 Position and fix drill template

Choose the appropriate drill template according to the intended amount of shortening.

Position on bone and fix with 2.0 mm Kirschner wires bicortically.

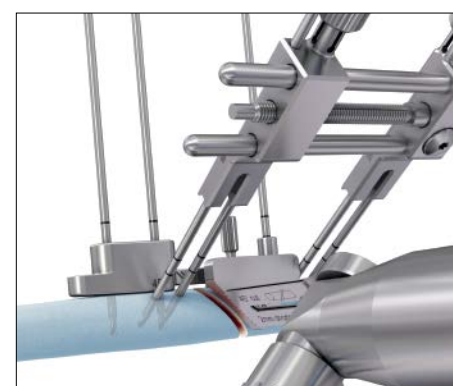
Ensure distal end of drill template sits flush when inserting K-wires. If not, plate may need to be contoured.



3 Fix compression/distraction instrument to bone

Position and fix the compression/distraction instrument at an angle, ulnarly, with the 2.0 mm Kirschner wires, through the inner clamps, and tighten clockwise. For additional fragment support, K-wires may also be inserted in the holes found on the outside of the inner clamps.

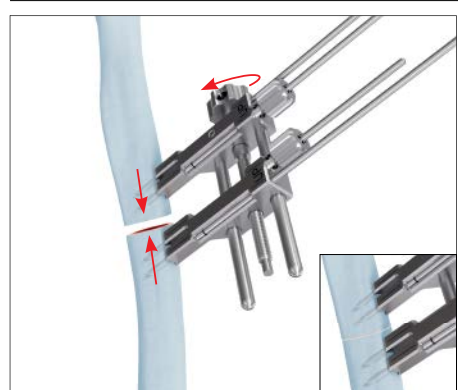
Be sure that the wires used for fixation of the compression/distraction instrument do not collide with the wires used for fixation of the drill template.



4 Perform cut

Align the appropriate parallel saw blade with the oblique chamfer markings on the drill template and create the osteotomy. Irrigation is necessary to avoid excess heating. When performing an oblique cut, the saw guide may be used for guidance by mounting it to the proximal end of the drill template.

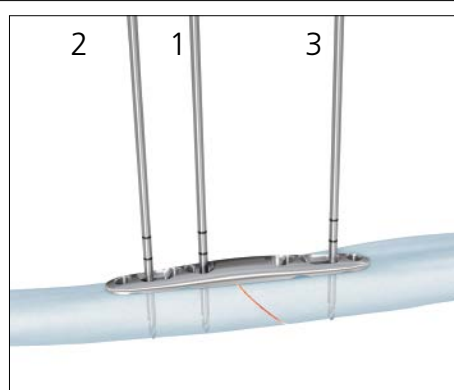
Be sure the drill template is in contact with the bone when starting the osteotomy cut. When advancing the osteotomy cut, the drill template may be slid away from the bone 2–3 mm.



5 Reduce osteotomy

With the compression/distraction instrument in place, remove drill template, keeping K-wires in place, and reduce osteotomy by rotating the knob on the instrument in a clockwise direction.

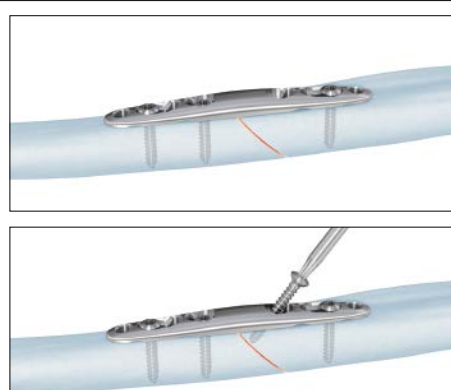
Keep instrument in place to hold reduction.



6 Apply plate

Place plate over K-wires, where the drill template previously sat.

Always include the elongated COMBI® Plate holes with the most proximal and most distal Kirschner wires.

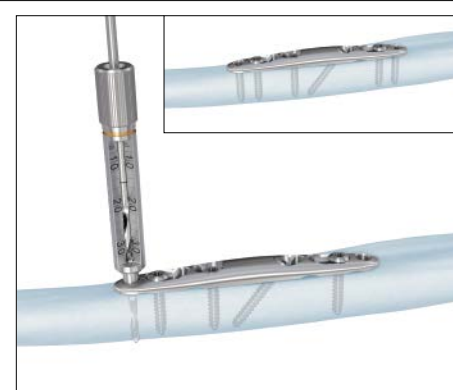


7 Plate fixation with cortex screws

Remove the K-wire located distal to the osteotomy. Measure screw length and insert appropriate 2.7 mm cortex screw. Repeat with the most distal and proximal K-wires.

Prior to removing the proximal K-wire to the osteotomy, position the holding forceps in the proximal locking screw hole.

If lag screw is desired, overdrill the near cortex using the 2.7 mm universal drill guide and 2.7 mm drill bit. Drill the threaded hole using the 2.7 mm universal drill guide and 2.0 mm drill bit. Measure screw length and insert appropriate 2.7 mm cortex screw.

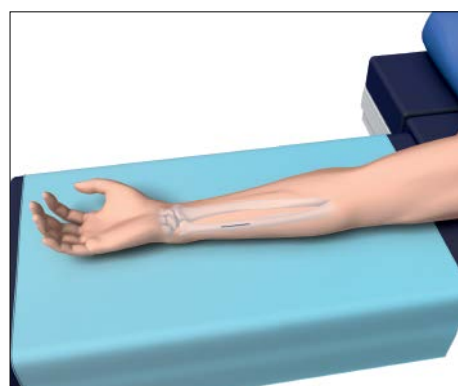


8 Plate fixation with locking screws

Screw the threaded drill guide into the most distal locking hole until fully seated. Use the 2.0 mm drill bit to drill to the desired depth.

Determine the screw length and manually insert appropriate 2.7 mm locking screw. Use the handle for torque limiting attachment attached to the 0.8 Nm torque limiting attachment and connect with StarDrive™ T8 Screw Driver Shaft.

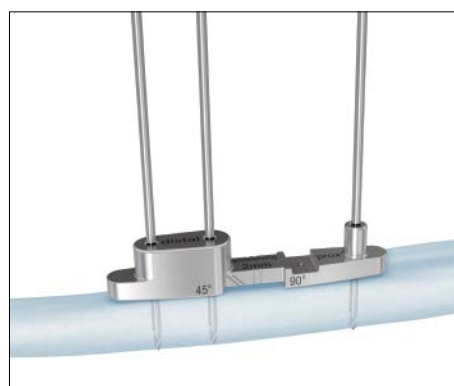
For Transverse (90°) Cut



1 Approach

Place patient in supine position with the forearm on a hand table in full supination and shoulder in 90° abduction.

Make a longitudinal incision to the volar side of the ulna.

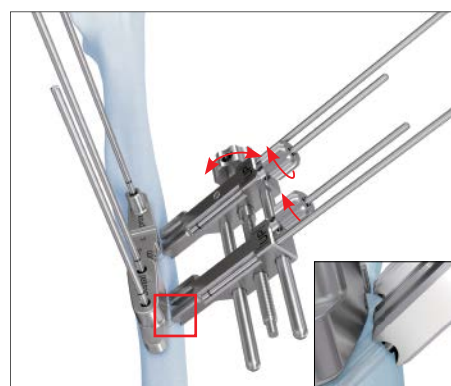


2 Position and fix drill template

Choose the appropriate drill template according to the intended amount of shortening.

Position on bone and fix with 2.0 mm Kirschner wires bicortically.

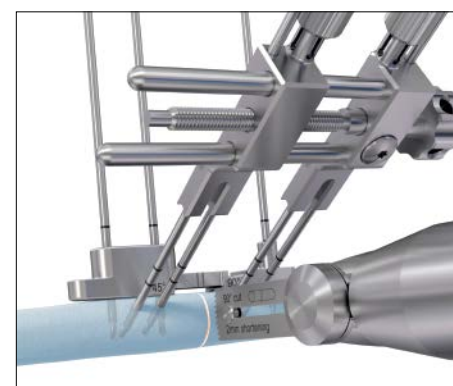
Ensure distal end of drill template sits flush when inserting K-wires. If not, plate may need to be contoured.



3 Fix compression/distraction instrument to bone

Position and fix the compression/distraction instrument at an angle, ulnarly, with the 2.0 mm Kirschner wires, through the inner clamps, and tighten clockwise. For additional fragment support, K-wires may also be inserted in the holes found on the outside of the inner clamps.

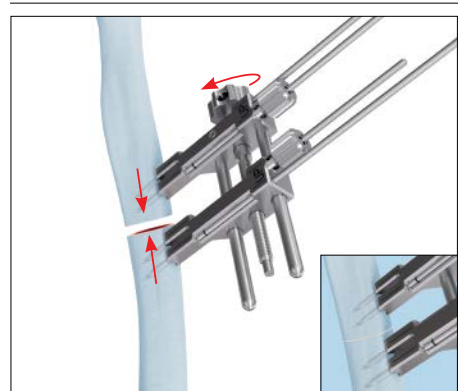
Be sure that the wires used for fixation of the compression/distraction instrument do not collide with the wires used for fixation of the drill template.



4 Perform cut

Align the appropriate parallel saw blade with the transverse chamfer markings on the drill template and create the osteotomy. Irrigation is necessary during sawing to avoid excess heating.

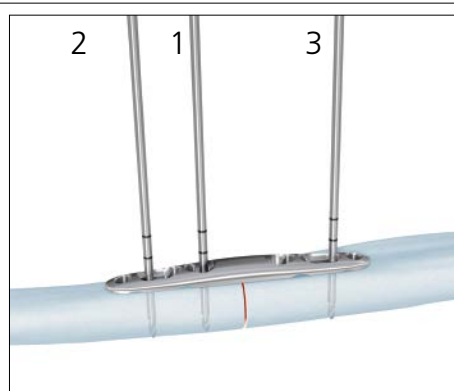
Be sure the drill template is in contact with the bone when starting the osteotomy cut. When advancing the osteotomy cut, the drill template may be slid away from the bone 2–3 mm.



5 Reduce osteotomy

With compression/distraction instrument in place, remove drill template, keeping K-wires in place, and reduce osteotomy by rotating the knob on the instrument in a clockwise direction.

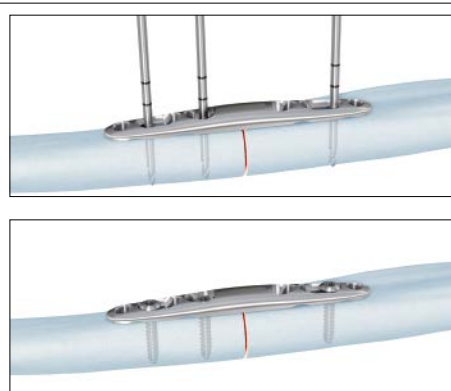
Keep instrument in place to hold reduction.



6 Apply plate

Place plate over K-wires, where the drill template previously sat.

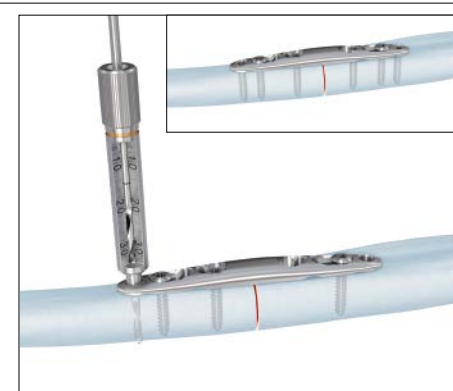
Always include the elongated COMBI® Plate holes with the most proximal and most distal Kirschner wires.



7 Plate fixation with cortex screws

Remove the K-wire located distal to the osteotomy. Measure screw length and insert appropriate 2.7 mm cortex screw. Repeat with the most distal and proximal K-wires.

Prior to removing the proximal K-wire to the osteotomy, position the holding forceps in the proximal locking screw hole.



8 Plate fixation with locking screws

Screw the threaded drill guide into the most distal locking hole until fully seated. Use the 2.0 mm drill bit to drill to the desired depth.

Determine the screw length and manually insert appropriate 2.7 mm locking screw. Use the handle for torque limiting attachment attached to the 0.8 Nm torque limiting attachment and connect with StarDrive T8 Screw Driver Shaft.

2.7 mm LCP Ulna Osteotomy System

Set

2.7 mm LCP® Ulna Osteotomy System
Stainless Steel (01.111.900) and Titanium (01.111.901)

Plates

2.7 mm LCP Ulna Osteotomy Plates

Stainless Steel	Titanium	Holes	Length (mm)
02.111.900	04.111.900	6	62
02.111.901	04.111.901	8	76

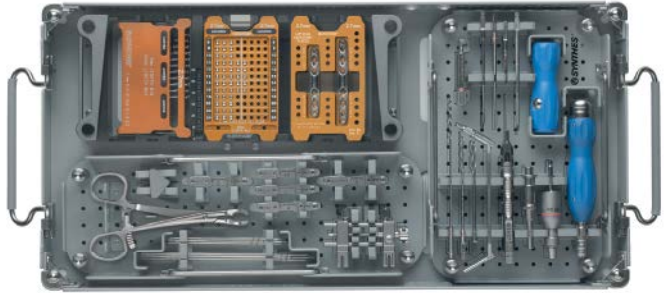
Screws

2.7 mm Cortex Screws, self-tapping, with T8 StarDrive Recess

Stainless Steel	Titanium	Length (mm)
202.870	402.870	10
202.872	402.872	12
202.874	402.874	14
202.876	402.876	16
202.878	402.878	18
202.880	402.880	20
202.882	402.882	22
202.884	402.884	24
202.886	402.886	26
202.888	402.888	28
202.890	402.890	30

2.7 mm Locking Screws, self-tapping, with T8 StarDrive Recess

Stainless Steel	Titanium	Length (mm)
202.208	402.208	8
202.209	402.209	9
202.210	402.210	10
202.211	402.211	11
202.212	402.212	12
202.213	402.213	13
202.214	402.214	14
202.216	402.216	16
202.218	402.218	18
202.220	402.220	20
202.222	402.222	22
202.224	402.224	24



Saw Blades

Parallel Saw Blades for LCP Ulna Osteotomy Plate, sterile

	Osteotomy Angle	Shortening Distance (mm)
532.081S	Transverse (90°)	2.0
532.082S	Transverse (90°)	2.5
532.083S	Transverse (90°)	3.0
532.084S	Transverse (90°)	4.0
532.085S	Transverse (90°)	5.0

Parallel Saw Blades for LCP Ulna Osteotomy Plate, sterile

	Osteotomy Angle	Shortening Distance (mm)
532.091S	Oblique (45°)	2.0
532.092S	Oblique (45°)	2.5
532.093S	Oblique (45°)	3.0
532.094S	Oblique (45°)	4.0
532.095S	Oblique (45°)	5.0

Additional Sets

Small Battery Drive

With 14V battery pack (105.954) and without battery pack (105.955)

* Please refer to the 2.7 mm LCP Ulna Osteotomy Surgical Technique (DSUS/TRM/0514/0063(1)) and instructions for use for a complete list of indications, contraindications, warnings, and precautions.

Limited Warranty and Disclaimer: DePuy Synthes products are sold with a limited warranty to the original purchaser against defects in workmanship and materials. Any other express or implied warranties, including warranties of merchantability or fitness, are hereby disclaimed.

Please also refer to the package insert(s) or other labeling associated with the devices identified in this quick reference chart for additional information.

CAUTION: Federal Law restricts these devices to sale by or on the order of a physician.

Some devices listed in this quick reference chart may not have been licensed in accordance with Canadian law and may not be for sale in Canada. Please contact your sales consultant for items approved for sale in Canada.

Not all products may currently be available in all markets.



Manufactured or distributed by:

Synthes USA Products, LLC
1302 Wrights Lane East
West Chester, PA 19380

Synthes USA, LLC
1101 Synthes Avenue
Monument, CO 80132

To order (USA): 800-523-0322

To order (Canada): 855-946-8999

Note: For recognized manufacturer, refer to the product label.

www.depuyssynthes.com