

Cervical Distractor

Surgical Technique



 Image intensifier control

This description alone does not provide sufficient background for direct use of DePuy Synthes products. Instruction by a surgeon experienced in handling these products is highly recommended.

Processing, Reprocessing, Care and Maintenance

For general guidelines, function control and dismantling of multi-part instruments, as well as processing guidelines for implants, please contact your local sales representative or refer to:

<http://emea.depuyshnthes.com/hcp/reprocessing-care-maintenance>

For general information about reprocessing, care and maintenance of Synthes reusable devices, instrument trays and cases, as well as processing of Synthes non-sterile implants, please consult the Important Information leaflet (SE_023827) or refer to:

<http://emea.depuyshnthes.com/hcp/reprocessing-care-maintenance>

Table of Contents

AO Spine Principles		2
Introduction	Set Composition	3
Product Information	Instruments	4
Handling Instructions		6
Bibliography		9

AO Spine Principles

The four principles to be considered as the foundation for proper spine patient management underpin the design and delivery of the Curriculum: Stability – Alignment – Biology – Function.^{1,2}

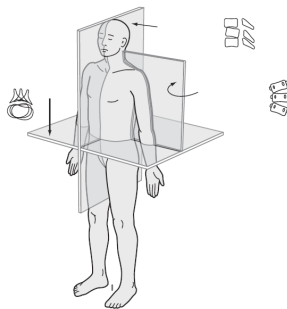
Stability

Stabilization to achieve a specific therapeutic outcome



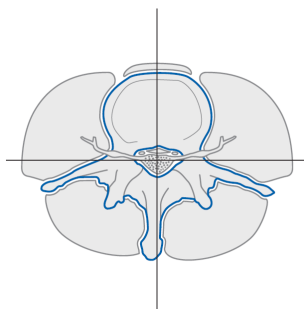
Alignment

Balancing the spine in three dimensions



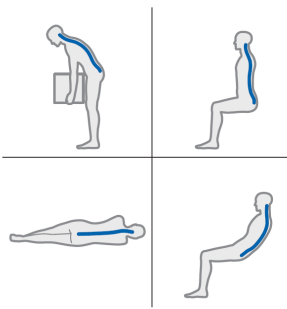
Biology

Etiology, pathogenesis, neural protection, and tissue healing



Function

Preservations and restoration of function to prevent disability



Copyright © 2012 by AOSpine

¹ Aebi et al (1998)

² Aebi et al (2007)

Introduction

Set Composition:

187.780 Instrument Set for Cervical Distractors

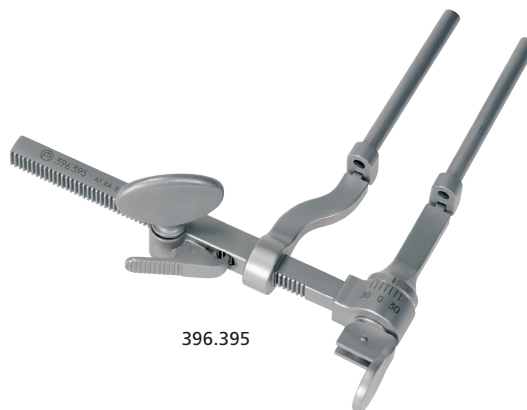
Item no.		Units
687.780	Vario Case for Cervical Distractors size ½, with Lid, without Contents	1



Product Information

Instruments

Item no.		Units
396.395	Cervical Distractor, left, with adjustable angle	1
396.396	Cervical Distractor, right, with adjustable angle	1
396.967	Screwdriver, hexagonal, length 200 mm, for Screw for Cervical Distractor	1
396.970	Screw Ø 2.7 mm, length 14 mm, for Cervical Distractor, Stainless Steel	2
396.971	Screw Ø 2.7 mm, length 16 mm, for Cervical Distractor, Stainless Steel	2



Optional

Item no.		Units
311.440	T-Handle with Quick Coupling	1
396.968	Drill Bit Ø 1.8 mm, length 132/12 mm, for Cervical Distractor, for Quick Coupling	1



311.440



396.968

Handling Instructions

The following handling instructions for the Synthes Cervical Distractor are intended for illustration of the basic functioning of these instruments. For further information about the surgical steps, please consult the respective surgical technique(s).

To insert the 2.7 mm Screws for Cervical Distractor (396.970 or 396.971), mount them on the hexagonal Screwdriver for Cervical Distractor (396.967).

Should insertion prove difficult, pre-drill a hole for the screws using the 1.8 mm Cervical Drill Bit (396.968) mounted on the T-Handle with Quick Coupling (311.440).

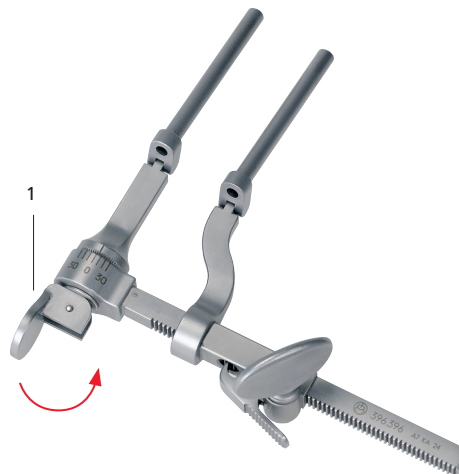
Place the left Cervical Distractor (396.395) or right Cervical Distractor (396.396) over two of the 2.7 mm Screws (396.970 or 396.971). The distractor fits the screws loosely to facilitate placement and removal, and is not meant to lock on the screws.



To allow ease of placement of the cervical distractor over the screws for cervical distractor regardless of their orientation, ensure that the angle-setting tab (1, below) of the cervical distractor is initially unlocked.



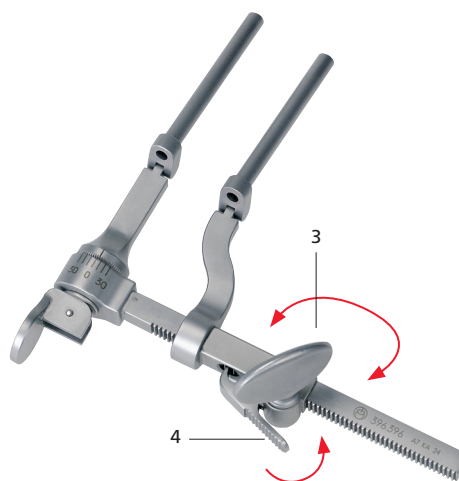
Once positioned on the screws, push the angle-setting tab (1) (left) to the locked position (2, below) to ensure parallel distraction of the two screws.



Even with a locked angle-setting tab (2), the distractor still allows variable angulation in one plane to accommodate different patient heights.



Achieve distraction between the two screws by turning the distraction tab (3) in a clockwise direction. The distraction can be adjusted by turning the distraction tab (3) counterclockwise, or released by pressing and holding the release tab (4).



After removal of the cervical distractor, remove the screws using the hexagonal Screwdriver for Cervical Distractor (396.967).



Bibliography

- 1 Aebi M, Thalgott JS, Webb JK (1998): AO ASIF Principles in Spine Surgery. Berlin: Springer.
- 2 Aebi M, Arlet V, Webb JK, (2007): AOSPINE Manual (2 vols), Stuttgart, New York: Thieme.

