

BME[®] Foot

Procedure Manual



DePuy Synthes

PART OF THE *Johnson & Johnson* FAMILY OF COMPANIES

Table of Contents

Hallux Interphalangeal (IP) Joint Arthrodesis	3
Akin Osteotomy	4
First Metatarsophalangeal (MTP) Joint Arthrodesis	5
Chevron Osteotomy/Bunionectomy of the Distal First Metatarsal	6
Crescentic or Closing Wedge Basal Osteotomy of the First Metatarsal	7
First Metatarsocuneiform Joint Arthrodesis or Lapidus Procedure	8
Lisfranc Arthrodesis	9
Cotton Osteotomy	10
Naviculocuneiform (NC) Joint Arthrodesis	11
Talonavicular (TN) Joint Arthrodesis	12
Calcaneocuboid (CC) Joint Arthrodesis	13
Evans Osteotomy	14
Dwyer Osteotomy	15
Medial Calcaneal Displacement Osteotomy	16
Hammertoe Arthrodesis	17
System Profiles	18 - 24

Hallux Interphalangeal (IP) Joint Arthrodesis

Description

Fusion of the distal and proximal phalanges of the Hallux.

Placement

Two identical SPEED™ Memory Implants with one placed in the dorsomedial position and one placed in the dorsolateral position.

Suggested Implants/Sizes (mm)

SPEED

09x07

09x10

11x08

11x10

13x08

13x10

15x10



Akin Osteotomy

Description

Medial closing wedge osteotomy of the proximal phalange of the Hallux.

Placement

One implant placed in the medial, dorsal, or dorsomedial positions. If placement is dorsal or mid shaft medial, use a SPEED Memory Implant. If placement is proximal or distal medially along the proximal or distal metaphyseal flare, use a SPEEDARC™ Memory Implant. If the lateral hinge is compromised, consider using two implants staggered perpendicular to each other.

Suggested Implants/Sizes (mm)

SPEED

09x10
11x10
11x15x12
13x10
13x12
13x15x13

SPEEDARC

09x12x10
11x12x10
11x15x12



First Metatarsophalangeal (MTP) Joint Arthrodesis

Description

Fusion of the proximal phalange of the Hallux and the head of the first metatarsal.

Placement

Two SPEED or SPEEDTITAN™ Memory Implants with one placed in the dorsomedial position and one in the medial position (stagger implants as needed). Alternatively, one can be placed in the dorsomedial position and the other placed in the dorsolateral position.

Suggested Implants/Sizes (mm)

SPEED or SPEEDTITAN

15x15

18x15

18x18x15

18x18

20x15



Chevron Osteotomy/Bunionectomy of the Distal First Metatarsal

Description

Distal first metatarsal head chevron osteotomy with lateral translation of the distal fragment.

Placement

One SPEEDTRIAD™ Memory Implant placed in the medial position. The SPEEDTRIAD Memory Implant may be placed in the dorsal position, except for long-arm dorsal or plantar osteotomies.

Suggested Implants/Sizes (mm)

SPEEDTRIAD

18x15x08 TRC

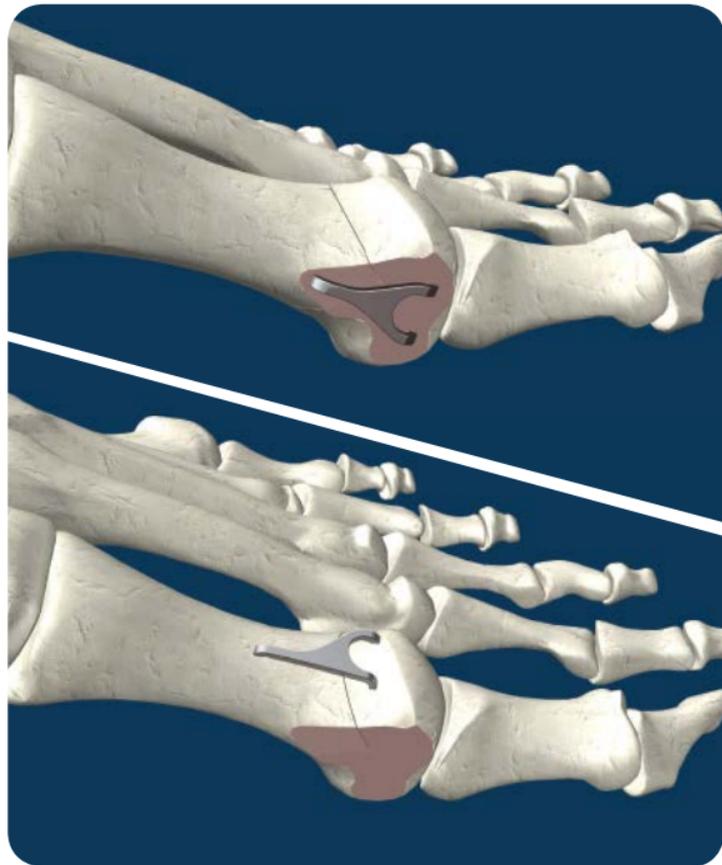
18x15x08 TRL

18x15x08 TRR

20x15x08 TRC

20x15x08 TRL

20x15x08 TRR



Crescentic or Closing Wedge Basal Osteotomy of the First Metatarsal

Description

Closing lateral wedge osteotomy near the base of the first metatarsal.

Placement

One or two SPEED or SPEEDTITAN Memory Implants placed in the dorsal lateral and lateral positions.

Suggested Implants/Sizes (mm)

SPEED or SPEEDTITAN

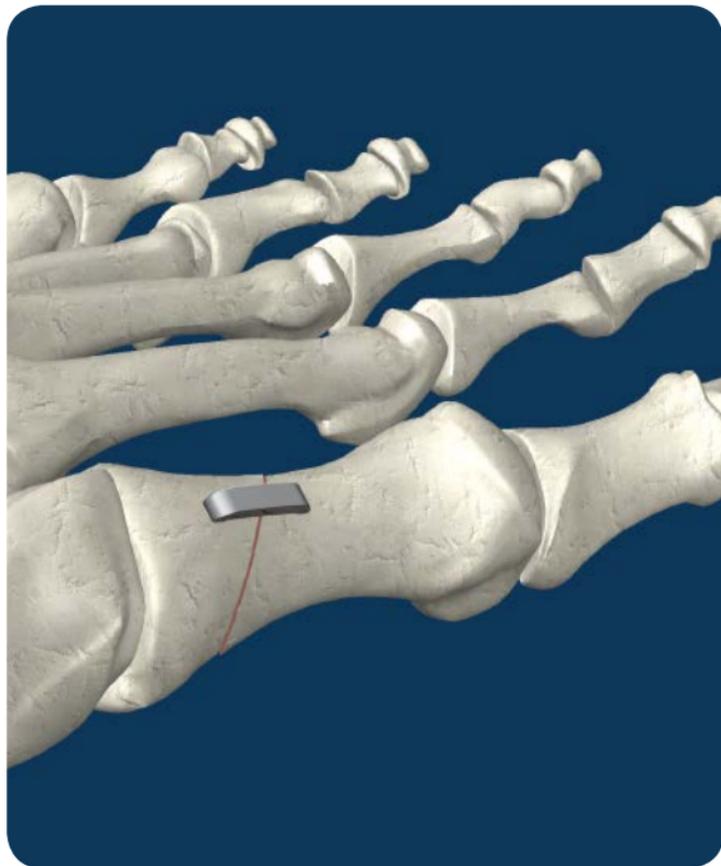
15x15

18x15

18x18x15

18x18

20x15



First Metatarsocuneiform Joint Arthrodesis or Lapidus Procedure

Description

Fusion of the base of the first metatarsal to the first cuneiform with or without angular resections.

Placement

Two BME ELITE® or SPEEDTITAN Memory Implants (or a combination of both) with one implant placed in the dorsal position and the second implant placed in the dorsomedial or medial position.

Suggested Implants/Sizes (mm)

Dorsal Implant:

BME ELITE

18x18

20x20

25x20

30x20

SPEEDTITAN

18x18

20x20

25x20

Medial Implant:

BME ELITE

18x18

20x20

SPEEDTITAN

18x13

18x18x15

18x18

20x15

20x20

25x20



Lisfranc Arthrodesis

Description

Fusion of one or more lesser metatarsocuneiform joints.

Placement

One SPEEDTITAN or BME ELITE Memory Implant placed in the dorsal position.

Suggested Implants/Sizes (mm)

BME ELITE

15x15
18x18
20x20

SPEEDTITAN

15x15
18x15
18x18x15
18x18
20x15
20x20



Cotton Osteotomy

Description

Dorsal opening wedge osteotomy of the first cuneiform bone.

Placement

One SPEED or SPEEDTITAN Memory Implant placed dorsally.

Suggested Implants/Sizes (mm)

SPEED or SPEEDTITAN:

18x15

18x18x15

18x18



Naviculocuneiform (NC) Joint Arthrodesis

Description

Fusion of the navicular bone to the first cuneiform.

Placement

One or two BME ELITE or SPEEDTITAN Memory Implants placed in the dorsomedial to medial positions.

Suggested Implants/Sizes (mm)

BME ELITE

15x15
18x18
20x20

SPEEDTITAN

15x15
18x15
18x18x15
18x18
20x15
20x20



Talonavicular (TN) Joint Arthrodesis

Description

Fusion of the navicular bone to the talus.

Placement

Two BME ELITE or SPEEDTITAN Memory Implants placed in the dorsomedial position.

Suggested Implants/Sizes (mm)

BME ELITE

15x15

20x20

25x20

SPEEDTITAN

18x15

18x18x15

18x18

20x15

20x20

25x20



Calcaneocuboid (CC) Joint Arthrodesis

Description

Fusion of the calcaneus to the cuboid.

Placement

Two BME ELITE or SPEEDTITAN Memory Implants, one is placed in the dorsolateral position and one is placed in the lateral position.

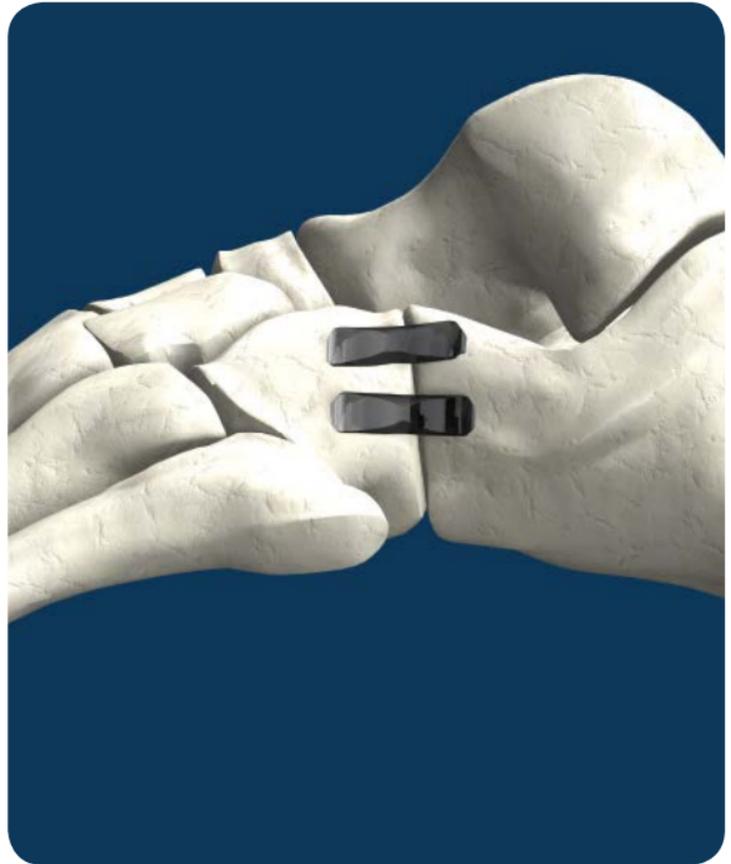
Suggested Implants/Sizes (mm)

BME ELITE

18x18
20x20
25x20
30x20

SPEEDTITAN

18x15
18x18x15
18x18
20x15
20x20
25x20



Evans Osteotomy

Description

Lateral opening wedge osteotomy of the calcaneus performed just behind the calcaneocuboid joint.

Placement

One SPEED or SPEEDTITAN Memory Implant placed in the lateral position.

Suggested Implants/Sizes (mm)

SPEED or SPEEDTITAN

18x15

18x18x15

18x18

20x15

20x20



Dwyer Osteotomy

Description

Lateral closing wedge osteotomy of the calcaneus.

Placement

Two BME ELITE or SPEEDTITAN Memory Implants placed in the lateral position.

Suggested Implants/Sizes (mm)

BME ELITE

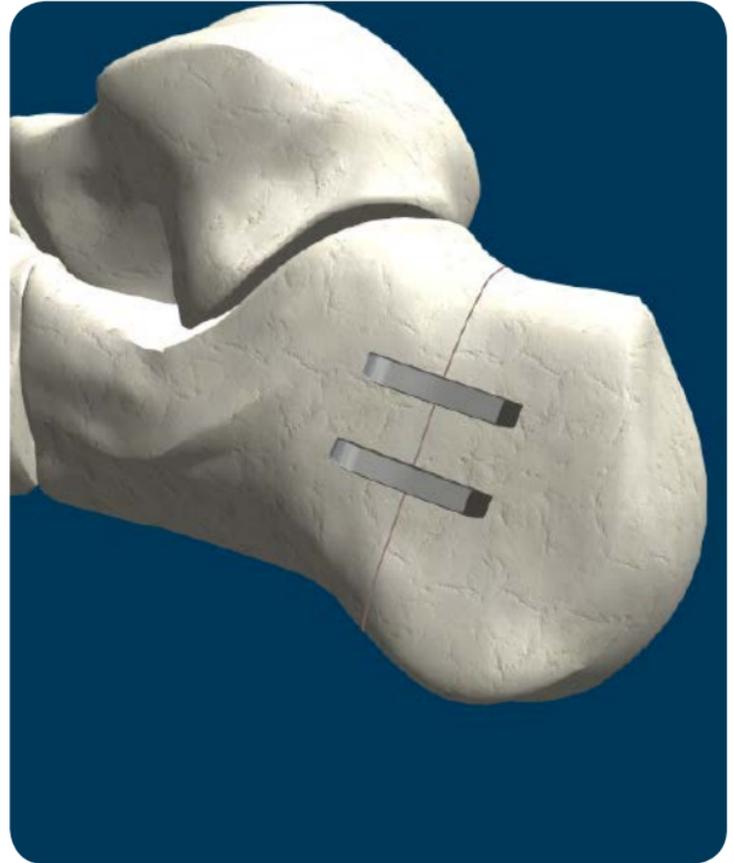
18x18

20x20

SPEEDTITAN

18x18

20x15



Medial Calcaneal Displacement Osteotomy

Description

Osteotomy of the calcaneus where the posterior fragment is shifted medially.

Placement

Two SPEEDSHIFT™ Memory Implants placed laterally approximately 1 cm apart.

Suggested Implants/Sizes (mm)

SPEEDSHIFT

15x20-06
15x20-08
15x20-10
20x20-04
20x20-06
20x20-08
20x20-10
20x20-12



Hammertoe Arthrodesis

Description

Fusion of the proximal and middle phalange of the lesser toes.

Placement

One intramedullary HAMMERLOCK® 2 Memory Implant.

Suggested Implants/Sizes (mm)

HAMMERLOCK

All sizes



Speed Implant System

Implant Kit	Bridge*	Legs*	Wire Size*	Drill Kit
SE-0907	09	07	1.5x1.5	DK-200
SE-0910	09	10	1.5x1.5	DK-200
SE-1110	11	10	1.5x1.5	DK-200
SE-111513	11	15/13	1.5x1.5	DK-200
SE-1310	13	10	1.5x1.5	DK-200
SE-131513	13	15/13	1.5x1.5	DK-200
SE-1512	15	12	1.5x1.5	DK-200
SE-1515	15	15	2x2	DK-265
SE-1815	18	15	2x2	DK-265
SE-181815	18	18/15	2x2	DK-265
SE-1818	18	18	2x2	DK-265
SE-2015	20	15	2x2	DK-265
SE-2020	20	20	2x2	DK-265
SE-2520	25	20	2x2	DK-265

*Sizes in millimeters.

‡Drilling templates provided.

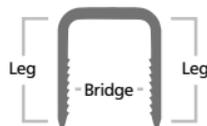
Corresponding Drill Kit

Part Number	Drill Bit Size	Drill Guide Handle	Locator Pins	Tamp
DK-200	2.00 mm	Included	Included	Included
DK-265	2.65 mm	Included	Included	Included
DK-200HW	2.00 mm	Included‡	Included	Included

Ancillary Tools

Part Number Description

SG-1	Continuous Compression Implant Sizing Guide
------	---



SPEED Diagram



Constrained in the open position



Bi-cortical compression when released

SPEEDARC Implant System

Implant Kit	Bridge*	Legs*	Wire Size*
SE-091210A	9	12/10	1.3x1.5
SE-111210A	11	12/10	1.3x1.5
SE-111512A	11	15/12	1.3x1.5



SE-091210A
09x12x10 mm



SE-111210A
11x12x10 mm



SE-111512A
11x15x12 mm

*Sizes in millimeters.

Corresponding Drill Kit

Part Number	Drill Bit Size	Drill Guide Handle	Locator Pins	Tamp
DK-200	2.00 mm	Included	Included	Included

Ancillary Tools

Part Number	Description
SG-3	SPEEDARC Implant Sizing Guide

SPEEDSHIFT Implant System

Implant Kit	Bridge*	Legs*	Offset*	Wire Size*
SE-1520-06	15	20	6	2x2
SE-1520-08	15	20	8	2x2
SE-1520-10	15	20	10	2x2
SE-2020-04	20	20	4	2x2
SE-2020-06	20	20	6	2x2
SE-2020-08	20	20	8	2x2
SE-2020-10	20	20	10	2x2
SE-2020-12	20	20	12	2x2

*Sizes In millimeters.

Corresponding Drill Kit

Part Number	Drill Bit Size	Drill Guide Handle	Locator Pins	Tamp
DK-265-S	2.65 mm	Included	Included	Included

Ancillary Tools

Part Number	Description
SG-1	Continuous Compression Implant Sizing Guide
OT-1	Offset Sizing Tool

SPEEDTITAN Implant System

Implant Kit	Bridge A*	Legs B*
SE-1515TI	15	15
SE-1815TI	18	15
SE-181815TI	18	18/15
SE-1818TI	18	18
SE-2015TI	20	15
SE-2020TI	20	20
SE-2520TI	25	20

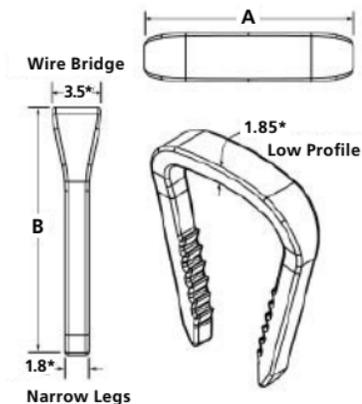
*Sizes in millimeters.

Corresponding Drill Kit

Part Number	Drill Bit Size	Drill Guide Handle	Locator Pins	Tamp
DK-265-S	2.65 mm	Included	Included	Included

Ancillary Tools

Part Number	Description
SG-1	Continuous Compression Implant Sizing Guide



SPEEDTRIAD Implant System

Implant Kit	Bridge Length*	Leg Length*	Bridge Width*	Distal Legs
SE-181508TRC	18	15	8	Centered
SE-181508TRL	18	15	8	Left Offset
SE-181508TRR	18	15	8	Right Offset
SE-201508TRC	20	15	8	Centered
SE-201508TRL	20	15	8	Left Offset
SE-201508TRR	20	15	8	Right Offset

Corresponding Drill Kit

Part Number	Drill Bit Size	Drill Guide Handle	Locator Pins	Tamp
DK-200T	2.0 mm	Included	Included	Included

Ancillary Tools

Part Number	Description
SG-2	SPEEDTRIAD Sizing Guide

*Sizes In millimeters.

Right Offset



Center Offset



Left offset



HAMMERLOCK® 2 Implant System

Angle	Size	Catalog No	A*	B*	C*	D*	E*	F*
0°	Small	HL2S	17.2	5.2	12.0	5.6	5.4	4.3
0°	Medium	HL2M	20.2	5.2	15.0	6.0	5.4	5.0
0°	Large	HL2L	22.0	7.0	15.0	6.0	7.0	5.0
10°	Small	HL2SA	17.2	5.2	12.0	5.6	5.4	4.3
10°	MEDIUM	HL2MA	20.2	5.2	15.0	6.0	5.4	5.0
10°	LARGE	HL2LA	22.0	7.0	15.0	6.0	7.0	5.0

Ancillary Tools

Part Number Name

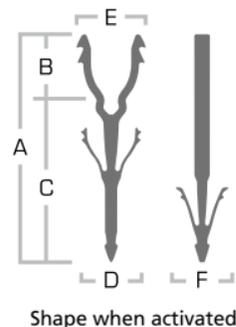
HSPL01	HAMMERSPLINT®
--------	---------------



*All sizes in millimeters describing implants in activated states.
 *X-ray template A125-005 may be used to determine implant size.

Corresponding Drill Kit

Part Number	Drill Bit Size
DK-H2	2.10 mm



BME ELITE® Implant System

Implant Kit	Bridge*	Legs*	No. Of Legs*	Max. Closure*
EL-1515S2	15	15	2	9.1
EL-1818S2	18	18	2	10.4
EL-2020S2	20	20	2	9.5
EL-2520S4	25	20	4	7.1
EL-3020S4	30	20	4	7.6

Corresponding Drill/Template Kits

Part Number	Drill Bit Size	Drilling Templates*	Locator Pins	Tamp	K-Wires
DK-300	3.0 mm	—	4 x LP-300	EL-TAMP	4 x 0.062 in.
EL-DTS	—	15,18,20,25,30	—	—	—

EL-1515S2



EL-1818S2



EL-2020S2



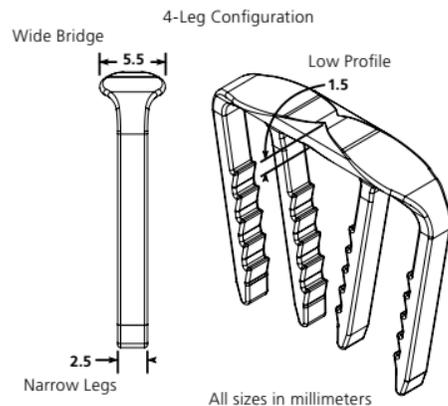
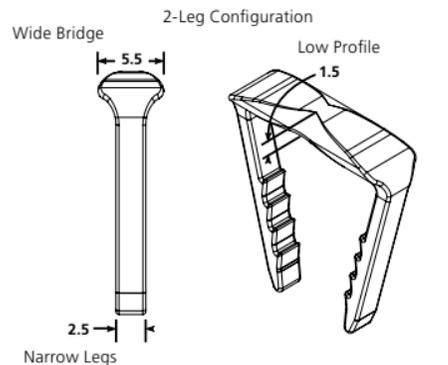
EL-2520S4



EL-3020S4



*Sizes in millimeters.



Notes:



BioMedical Enterprises, Inc.
14785 Omicron Dr., Ste. 205
San Antonio, Texas 78245 USA

EC REP

Ergo Europe
Molenstraat 15
2513 BH The Hague
The Netherlands

Synthes GmbH
Eimattstrasse 3
4436 Oberdorf
Switzerland
Tel: +41 61 965 61 11
Fax: +41 61 965 66 00
www.depuyssynthes.com

Not all products are currently available in all markets.

This publication is not intended for distribution in the USA.

All surgical techniques are available as PDF files at
www.depuyssynthes.com

CE
0086