

Depuy Synthes GmbH
OrthoKit® Rental Service

Im Brunnenfeld 8
D-79224 Umkirch

www.depuythes.com



L1100001508S

Viper Prime, steril

Box01/05

Pos.	Mat.Nr	Description	Qty	Unit	Location
Box01/05		Tray 01			
1	186745435S	VIPER PRIME 4.5 x 35 MM Steril	2	ST	B01T01
2	186745440S	VIPER PRIME 4.5 x 40 MM Steril	4	ST	B01T01
3	186745445S	VIPER PRIME 4.5 x 45 MM Steril	4	ST	B01T01
4	186750435S	VIPER PRIME 5 x 35 MM Steril	4	ST	B01T01
5	186750440S	VIPER PRIME 5 x 40 MM Steril	3	ST	B01T01
Box01/05		Tray 02			
6	186750440S	VIPER PRIME 5 x 40 MM Steril	1	ST	B01T02
7	186750445S	VIPER PRIME 5 x 45 MM Steril	4	ST	B01T02
8	186750450S	VIPER PRIME 5 x 50 MM Steril	4	ST	B01T02
9	186760435S	VIPER PRIME 6 x 35 MM Steril	2	ST	B01T02
10	186760440S	VIPER PRIME 6 x 40 MM Steril	6	ST	B01T02

Box02/05

Pos.	Mat.Nr	Description	Qty	Unit	Location
Box02/05		Tray 01			
11	186760445S	VIPER PRIME 6 x 45 MM Steril	8	ST	B02T01
12	186760450S	VIPER PRIME 6 x 50 MM Steril	6	ST	B02T01
13	186760455S	VIPER PRIME 6 x 55 MM Steril	3	ST	B02T01
Box02/05		Tray 02			
14	186760455S	VIPER PRIME 6 x 55 MM Steril	1	ST	B02T02
15	186760460S	VIPER PRIME 6 x 60 MM Steril	2	ST	B02T02
16	186770440S	VIPER PRIME 7 x 40 MM Steril	6	ST	B02T02
17	186770445S	VIPER PRIME 7 x 45 MM Steril	6	ST	B02T02
18	186770450S	VIPER PRIME 7 x 50 MM Steril	2	ST	B02T02

L1100001508S**Viper Prime, steril****Box03/05**

Pos.	Mat.Nr	Description	Qty	Unit	Location
Box03/05		Tray 01			
19	186770450S	VIPER PRIME 7 x 50 MM Steril	4	ST	B03T01
20	186770455S	VIPER PRIME 7 x 55 MM Steril	4	ST	B03T01
21	186770460S	VIPER PRIME 7 x 60 MM Steril	2	ST	B03T01
22	186715000S	EXP Viper Single Innie, steril	20	ST	B03T01
23	283999001	LUER ADAPTOR CONF Nadeln, 1 Packung mit 10 Stück	1	ST	B03T01
Box03/05		Tray 02			
24	283903510	CONFIDENCE 10G,125mm Diamantspitze	4	ST	B03T02
25	279726500	EXP V2 Zementkanüle offen	10	ST	B03T02
26	186789040S	EXP Viper 2 gerader Stab 40mm, steril	2	ST	B03T02
27	186789050S	EXP Viper 2 gerader Stab 50mm, steril	2	ST	B03T02
28	186789060S	EXP Viper 2 gerader Stab 60mm, steril	2	ST	B03T02
29	186789070S	EXP Viper 2 gerader Stab 70mm, steril	2	ST	B03T02

Depuy Synthes GmbH
OrthoKit® Rental Service

Im Brunnenfeld 8
D-79224 Umkirch

www.depuythes.com



L1100001508S

Viper Prime, steril

Box04/05

Pos.	Mat.Nr	Description	Qty	Unit	Location
Box04/05		Tray 01			
30	186789080S	EXP Viper 2 gerader Stab 80mm, steril	2	ST	B04T01
31	186789090S	EXP Viper 2 gerader Stab 90mm, steril	2	ST	B04T01
32	186789100S	EXP Viper 2 gerader Stab 100mm, steril	2	ST	B04T01
33	186789120S	EXP Viper2 gerader Stab 120mm, steril	2	ST	B04T01
34	186789140S	EXP Viper 2 gerader Stab 140mm, steril	2	ST	B04T01
35	186789200S	EXP Viper 2 gerader Stab 200mm, steril	2	ST	B04T01
36	186788075S	EXP Viper 2 lordotischer Stab 75mm, steril	2	ST	B04T01
37	186788080S	EXP Viper 2 lordotischer Stab 80mm, steril	2	ST	B04T01
38	186788090S	EXP Viper 2 lordotischer Stab 90mm, steril	2	ST	B04T01
39	186788100S	EXP Viper 2 lordotischer Stab 100mm, steril	2	ST	B04T01
Box04/05		Tray 02			
40	186788035S	EXP Viper 2 lordotischer Stab 35mm, steril	2	ST	B04T02
41	186788040S	EXP Viper 2 lordotischer Stab 40mm, steril	2	ST	B04T02
42	186788045S	EXP Viper 2 lordotischer Stab 45mm, steril	2	ST	B04T02



Depuy Synthes GmbH
OrthoKit® Rental Service



Im Brunnenfeld 8
D-79224 Umkirch

www.depuythes.com





L1100001508S

Viper Prime, steril

43	186788050S	EXP Viper 2 lordotischer Stab 50mm, steril		2	ST	B04T02
44	186788055S	EXP Viper 2 lordotischer Stab 55mm, steril		2	ST	B04T02
45	186788060S	EXP Viper 2 lordotischer Stab 60mm, steril		2	ST	B04T02
46	186788065S	EXP Viper 2 lordotischer Stab 65mm, steril		4	ST	B04T02
47	186788070S	EXP Viper 2 lordotischer Stab 70mm, steril		2	ST	B04T02
48	286750200S	Viper Prime Stylet		6	ST	B04T02

Box05/05 **Tray 01**

49	186789300S	EXP Viper 2 gerader Stab 300mm, steril		2	ST	B05T01
50	186789400S	EXP Viper 2 gerader Stab 400mm, steril		2	ST	B05T01
51	286705220S	LIS 2 GUIDEWIRE BLUNT 1.45 DIA, steril		8	ST	B05T01

Depuy Synthes GmbH
OrthoKit® Rental Service

Im Brunnenfeld 8
D-79224 Umkirch

www.depuythes.com



L1100001508S

Viper Prime, steril

B01T01



B01T02



Depuy Synthes GmbH
OrthoKit® Rental Service

Im Brunnenfeld 8
D-79224 Umkirch

www.depuythes.com



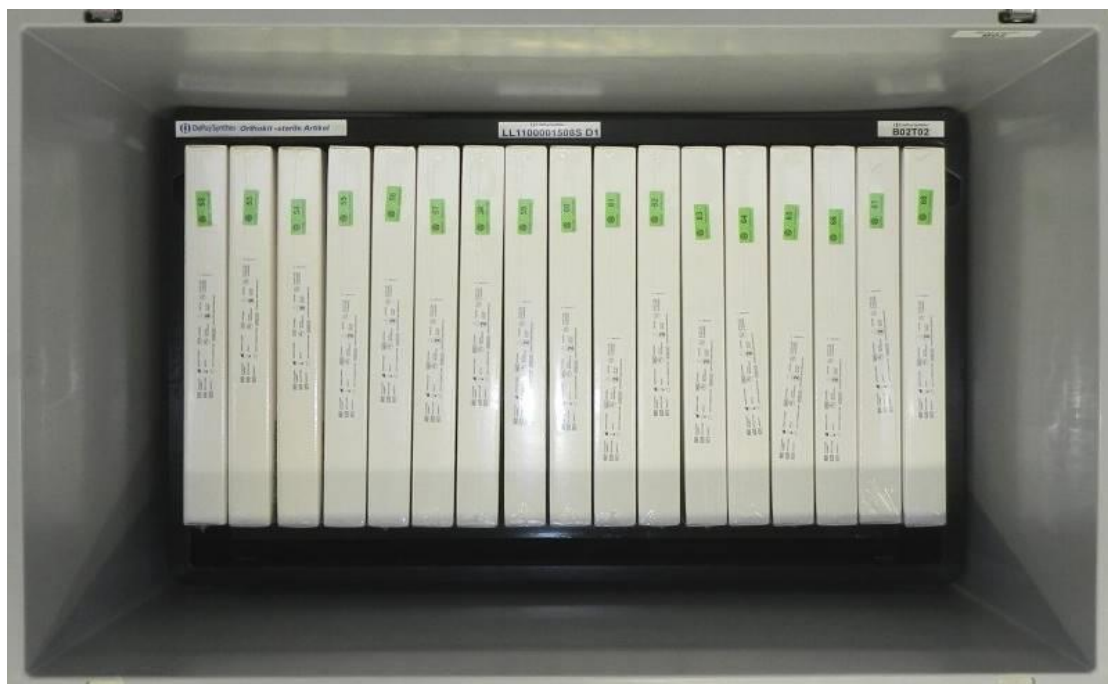
L1100001508S

Viper Prime, steril

B02T01



B02T02



Depuy Synthes GmbH
OrthoKit® Rental Service

Im Brunnenfeld 8
D-79224 Umkirch

www.depuythes.com



L1100001508S

Viper Prime, steril

B03T01



B03T02



Depuy Synthes GmbH
OrthoKit® Rental Service

Im Brunnenfeld 8
D-79224 Umkirch

www.depuySynthes.com



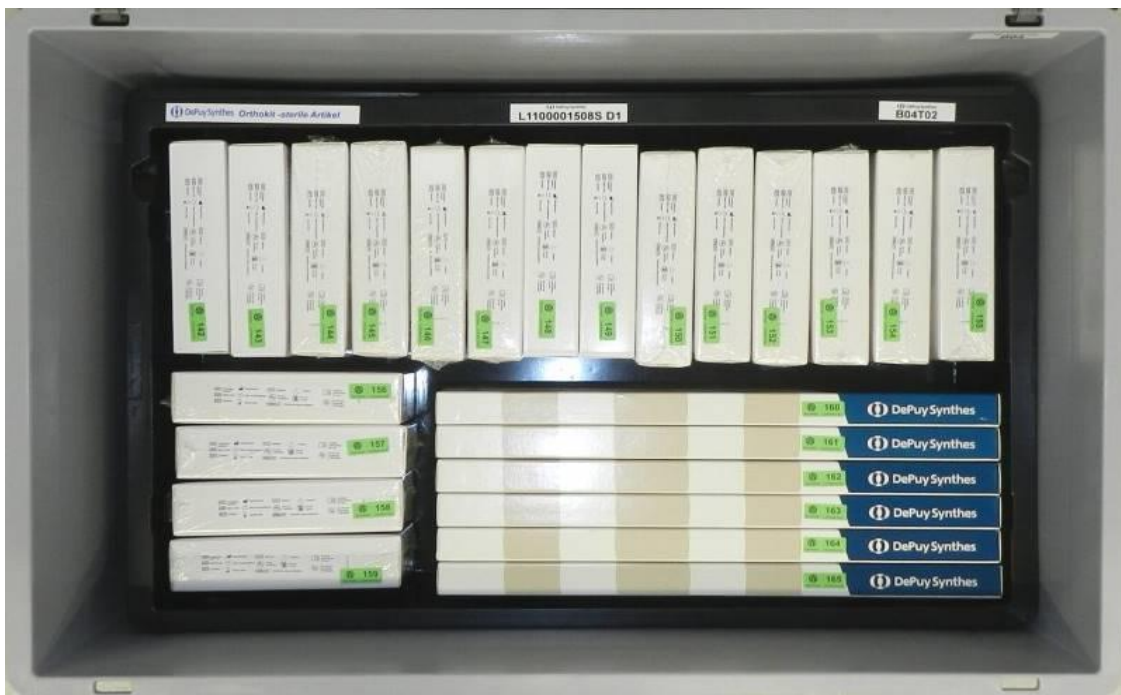
L1100001508S

Viper Prime, steril

B04T01



B04T02



Depuy Synthes GmbH
OrthoKit® Rental Service

Im Brunnenfeld 8
D-79224 Umkirch

www.depuySynthes.com



L1100001508S

Viper Prime, steril

B05T01



End of document